

Assembly/Mounting Instructions

Addendum for Large Clarion Screens by Draper

Caution

- ① Read instructions through completely before proceeding.
- ② Follow instructions carefully. Installation contrary to instructions invalidates warranty.
- ③ Make sure you have received all parts.
- ④ Be careful when inserting and sliding brace. The viewing surface could be damaged if the brace comes in contact with the viewing surface.

Please Note: Be careful when inserting and sliding brace. The viewing surface could be damaged if the brace comes in contact with the viewing surface.

Attaching Braces to Frame

- ① Insert vertical brace into groove on back side of frame, so that tongue fits into slot. Make sure the rivet faces up (away from the screen and frame). Insert one end of the brace into one groove at a slight angle, then rotate other end of brace into groove until the vertical brace is parallel with the frame sides (see Fig. 1). Braces will remain in place; no fasteners are required.
- ② For large Clarions, one or two vertical braces may be required. For a single vertical brace, center brace on back of screen frame (see Fig. 2). For two braces, place each brace approximately one-third of the way in from the sides of the frame (see Fig. 3).

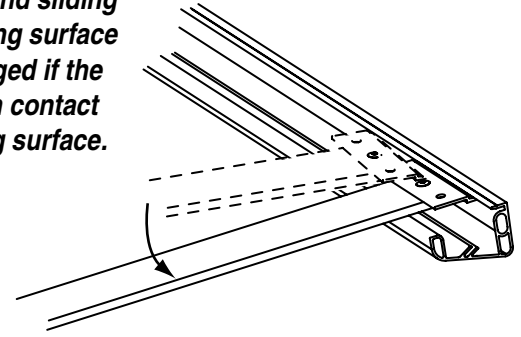


Figure 1

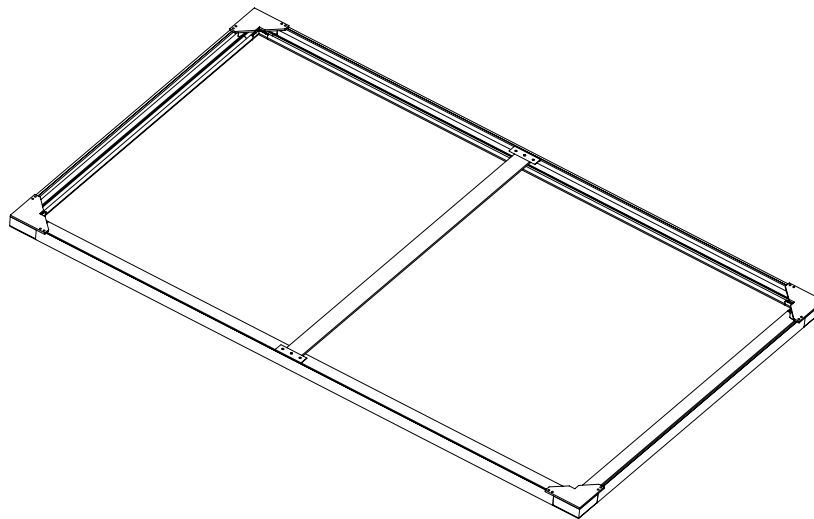


Figure 2

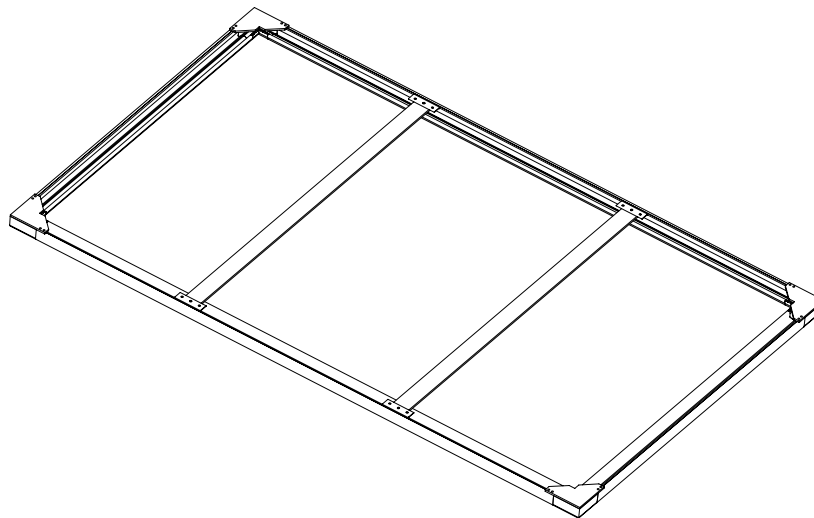


Figure 3

DRAPER

411 S. Pearl St., Spiceland, IN 47385 USA ■ 765-987-7999 ■ fax 765-987-7142
e-mail draper@draperinc.com ■ www.draperinc.com

Copyright © 2006 Draper Inc. Form Clarion-Addendum_Inst06-R2 Printed in U.S.A.

If you encounter any difficulties installing or servicing your Clarion screen, call your dealer or Draper, Inc., Spiceland, Indiana, (765) 987-7999; draper@draperinc.com.