

Installation Instructions

Floating Mounting Bracket for Targa, Premier, Premier/C and Luma 2 Projection Screens by Draper

⚠ Caution

- ① Read instructions through completely before proceeding.
- ② Follow instructions carefully. Installation contrary to instructions invalidates warranty.
- ③ Should be installed level and with bottom edges in alignment.
- ④ Hardware for assembling Floating Mounting Brackets and attaching to screen case is provided; it is the responsibility of the installer to provide the appropriate hardware for suspending or otherwise mounting the brackets to the wall or ceiling.

Wall Mounting

- ① Mount two Sliding Wall Brackets to the mounting surface. Brackets should be placed on studs. Installer must insure that fasteners used are of adequate strength and suitable for the mounting surface chosen.

Please Note: Sliding Wall Brackets can be mounted so they can be located at any point along the Case Attachment Brackets (within 24" of each end of case). They must be mounted level, and with bottom edges in alignment.

- ② Place front brackets on screen case, making sure the lower curled edge engages the screen case (see Fig. 1).

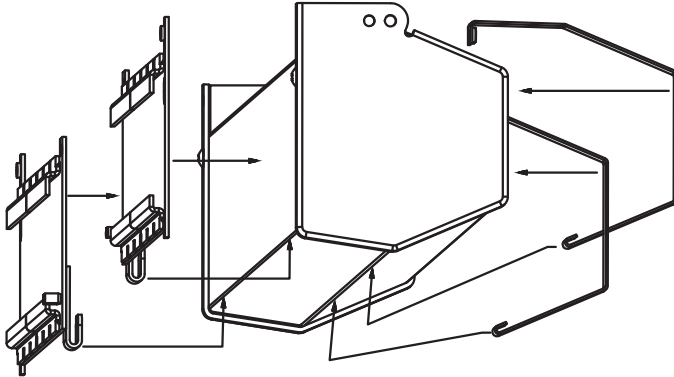


Figure 1

- ③ Place screen case on clean, steady surface with the back of the screen case facing up.
- ④ Remove the bottom screw from each endcap (see Fig. 2).
- ⑤ Attach Case Attachment Brackets to screen case by re-using endcap screws. Also use provided 10-32 x 1/2" PPH Zinc Machine Screws, attaching through the wall mounting holes on the endcaps (see Fig. 2).

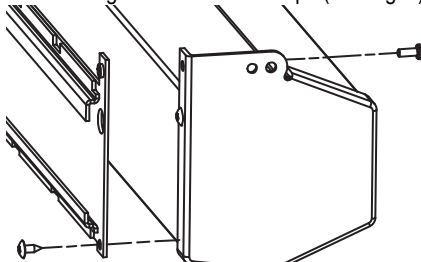


Figure 2

Please Note: Make sure to hook bottom of Case Attachment Bracket under the bottom of the screen case (see Fig. 1).

- ⑥ Attach Case Attachment Brackets to front brackets using 10-32 x 1/2" PPH Zinc Machine Screws (provided—see exploded diagram on page 2).
- ⑦ Mount screen case to wall brackets by slightly angling the upper slots on the Case attachment Brackets into the upper channel on the Sliding Wall Brackets, then rotating screen case into place (see Fig. 3).
- ⑧ Once the screen is placed in the desired position, secure screen case to Sliding Wall Brackets using #10-32 x 1" Pan Head Screws (provided) (see Fig. 3).

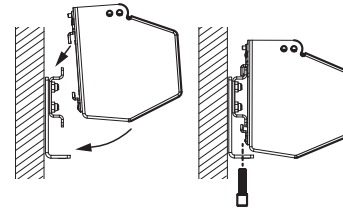


Figure 3

Ceiling Mounting

- ① Attach two Sliding Wall Brackets to Ceiling Brackets using .250-20 x 3/4" Phillips Pan Head Machine Screws and .250-20 Nylon Inserted Hex Zinc Locking Nut (provided—see exploded diagram on page 2).

- ② Mount two Ceiling Brackets to the mounting surface. Brackets should be located at joists. Installer must insure that fasteners used are of adequate strength and suitable for the mounting surface chosen.

Please Note: Sliding Brackets can be mounted so they can be located at any point along the Case Attachment Brackets (within 24" of each end of case). They must be mounted level, and with bottom edges in alignment.

- ③ Place front brackets on screen case, making sure the lower curled edge engages the screen case (see Fig. 1).
- ④ Place screen case on clean, steady surface with the back of the screen case facing up.
- ⑤ Remove the bottom screw from each endcap.
- ⑥ Attach Case Attachment Brackets to screen case by re-using endcap screws. Also use provided 10-32 x 1/2" PPH Zinc Machine Screws, attaching through the wall mounting holes on the endcaps (see Fig. 2).

Please Note: Make sure to hook bottom of Case Attachment Bracket under the bottom of the screen case (see Fig. 1).

- ⑦ Attach Case Attachment Brackets to front brackets using 10-32 x 1/2" PPH Zinc Machine Screws (provided).
- ⑧ Mount screen case to wall brackets by slightly angling the upper slots on the Case Attachment Brackets into the upper channel on the Sliding Wall Brackets, then rotating screen case into place (see Fig. 4).
- ⑨ Once the screen is placed in the desired position, secure screen case to Sliding Wall Brackets using #10-32 x 1" Pan Head Screws (provided) (see Fig. 4).

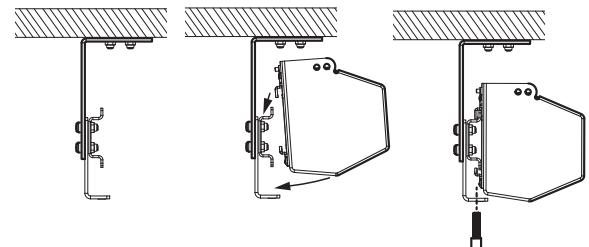


Figure 4

Please Note: For dimensional, exploded and assembled drawings, please see page 2 of these instructions.

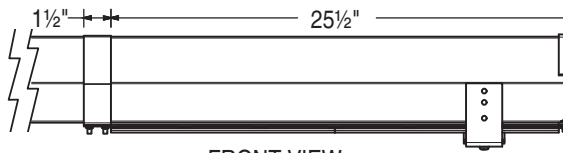
DRAPER®

411 S. Pearl St., Spiceland, IN 47385 USA ■ 765-987-7999
www.draperinc.com ■ fax 765-987-7142

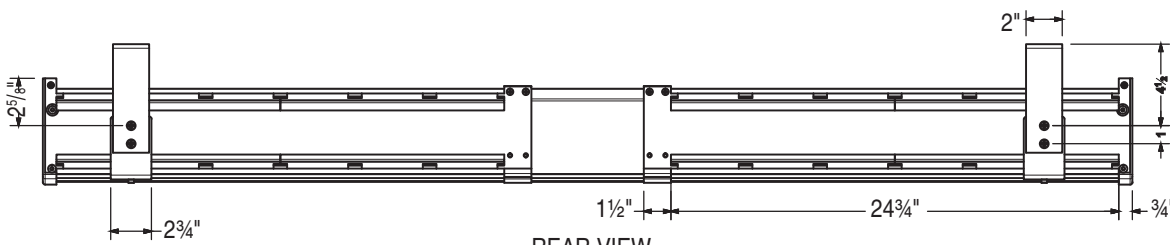
Copyright © 2012 Draper Inc. Form FloatingMountingBracket_Inst12-R2 Printed in U.S.A.

If you encounter any difficulties installing your Floating Mounting Brackets, call your dealer or Draper, Inc., Spiceland, Ind., (765) 987-7999; fax (765) 987-7142.

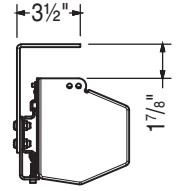
Dimensions



FRONT VIEW

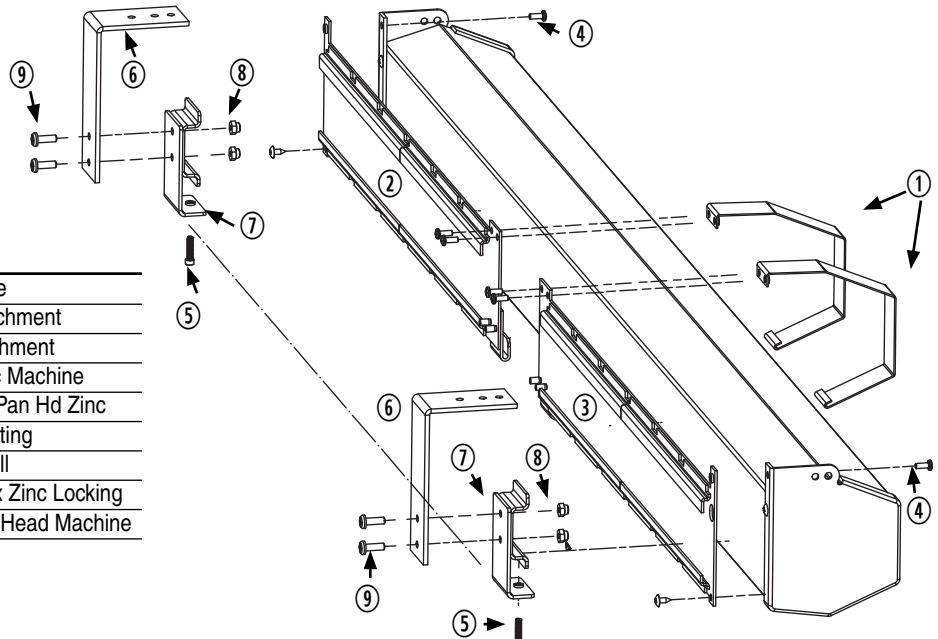


REAR VIEW



SIDE VIEW

Exploded Drawing



Parts List

ITEM	QTY	DESCRIPTION
1	2	Bracket, Front Case
2	1	Bracket, Right Case Attachment
3	1	Bracket, Left Case Attachment
4	6	Screw 10-32 x 1/2" PPH Zinc Machine
5	2	Screw, #10-32 x 1" Long Phil Pan Hd Zinc
6	2	Bracket, Ceiling Mounting
7	2	Bracket, Sliding Wall
8	4	Nut, .250-20 Nylon Inserted Hex Zinc Locking
9	4	Screw, .250-20 x 3/4" Phillips Pan Head Machine

Completed Assembly Drawing

